

PUMP INFORMATION

Type: Sump Pump(s)
 Grinder Pump(s)
 Non-Clog Pump(s)

Model NO.: _____

Rating: _____ GPM _____ TDH

Motor: _____ HP _____ RPM

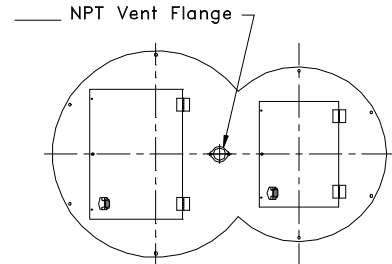
Elec: _____ PH _____ HZ _____ v

Elec: _____ FL AMPS

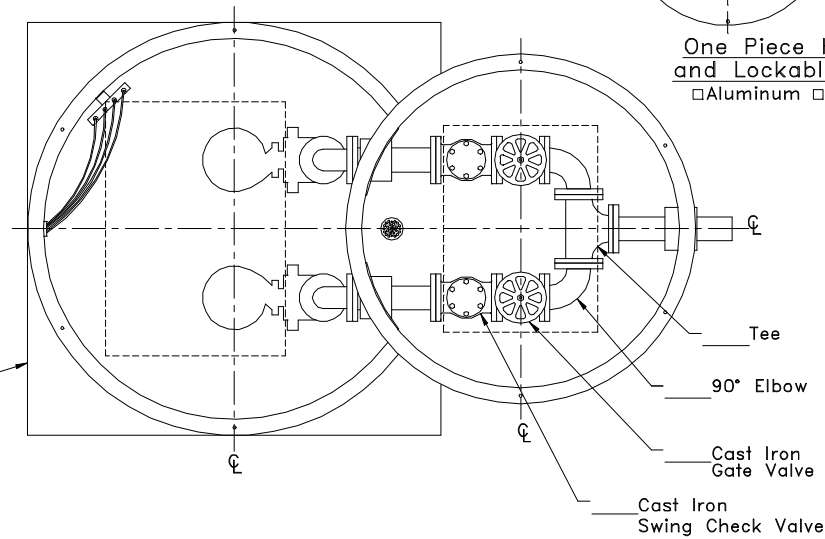
DISCHARGE PIPE

- Sch40 Galvanized
- Sch80 PVC
- Ductile Iron
- 3"
- 4"

- Anti-Floatation Flange
- Fiberglass Encapsulated
ASTM A-36 Steel
- Round Fiberglass
- None

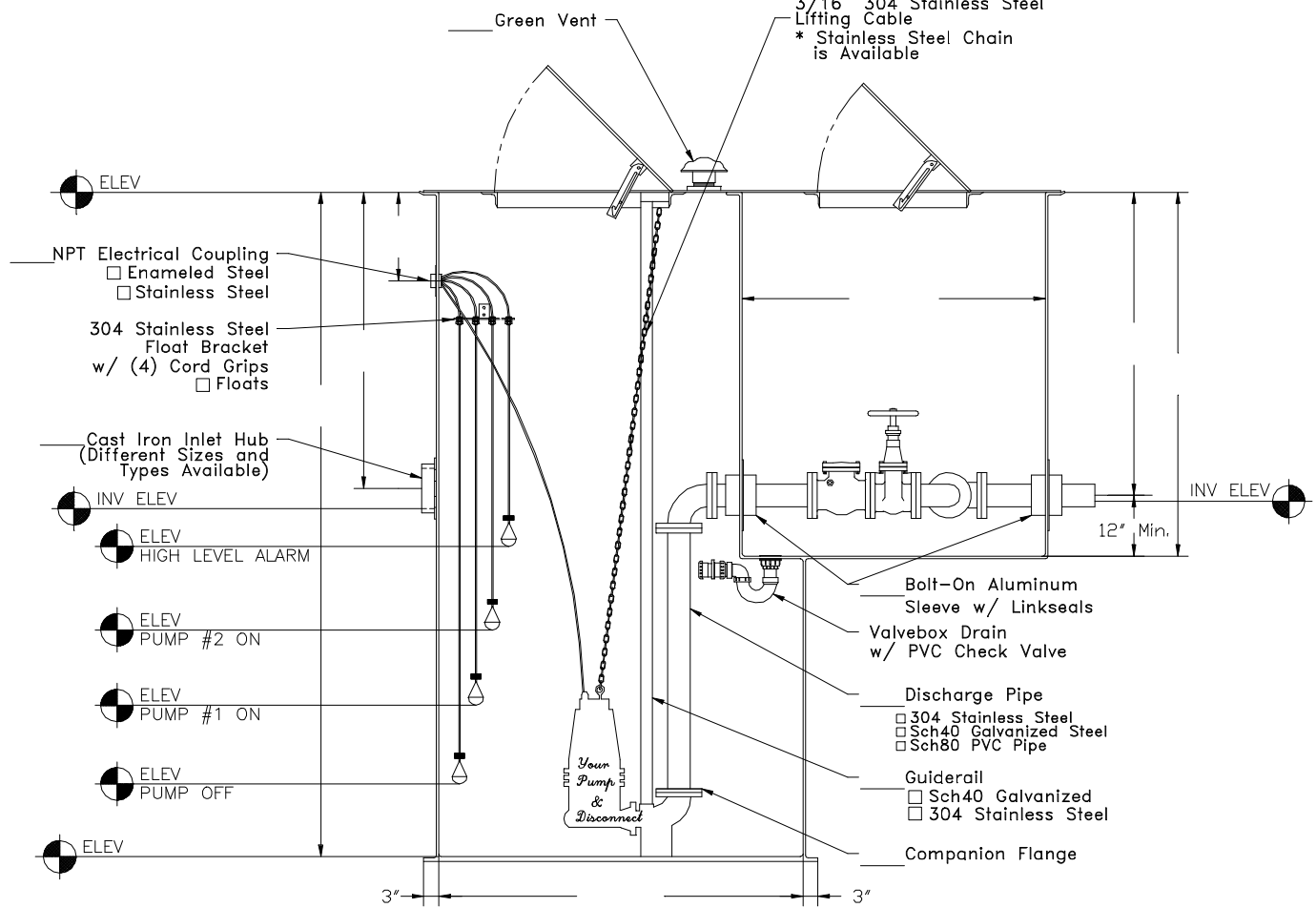


One Piece Hinged
and Lockable Cover
 Aluminum Steel



- ___ Tee
- ___ 90° Elbow
- ___ Cast Iron Gate Valve
- ___ Cast Iron Swing Check Valve

3/16" 304 Stainless Steel
Lifting Cable
 * Stainless Steel Chain
is Available



- ___ ELEV
- ___ NPT Electrical Coupling
 Enameled Steel
 Stainless Steel
- 304 Stainless Steel
Float Bracket
w/ (4) Cord Grips
 Floats
- ___ Cast Iron Inlet Hub
(Different Sizes and
Types Available)
- ___ INV ELEV
- ___ ELEV
HIGH LEVEL ALARM
- ___ ELEV
PUMP #2 ON
- ___ ELEV
PUMP #1 ON
- ___ ELEV
PUMP OFF
- ___ ELEV

- ___ Bolt-On Aluminum
Sleeve w/ Linkseals
- ___ Valvebox Drain
w/ PVC Check Valve
- ___ Discharge Pipe
 304 Stainless Steel
 Sch40 Galvanized Steel
 Sch80 PVC Pipe
- ___ Guiderail
 Sch40 Galvanized
 304 Stainless Steel
- ___ Companion Flange



Prefabricated Fiberglass
Duplex Lift Station
 Reference: Flanged Duplex With
Cylindrical Valvebox
 Highway 25 North P.O. Box 420
Rochester, IN 46975
Phone: 800/354-4534 Fax: 574/223-6106

Scale: None
 Drawn By: RM
 App'd By: .
 Date: 05/16/03

This print is and contains confidential proprietary information owned exclusively by TOPP INDUSTRIES, INC. It is furnished on a strictly confidential basis. This restriction includes, but is not limited to the condition that this print will not be used as a record or to identify or inspect parts or for other information purposes and will not be used to manufacture or procure the manufacture of the items shown in this print by any other source than TOPP INDUSTRIES, INC.

Supersedes Prints
 Prior To: 05/16/03

Reference
 No: 10471

Revisions

△	First Released.